

# Art Spec Sheet

Due to the differences in color modes for computer monitors and printers, the colors illustrated on this spec are for representation purposes only. When viewed on screen or printed on paper, these colors may not accurately reflect the colors of the final product.

## 2025 LED EYEGLASSES LIT283

### Accepted File Formats for Best Print Quality:

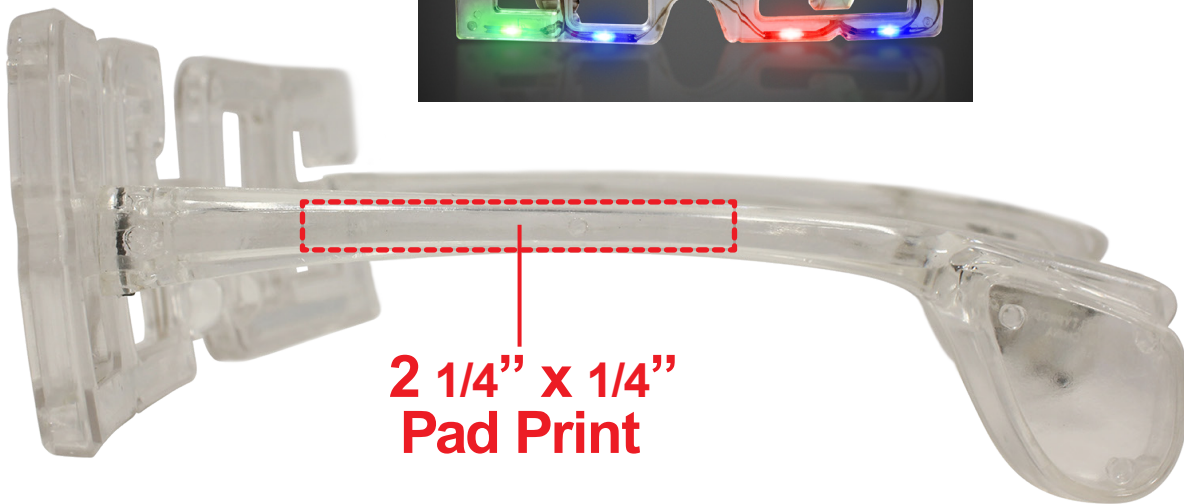
- **Vector Artwork** (Files must be submitted with fonts/text converted to outlines/curves):

#### Accepted file types:

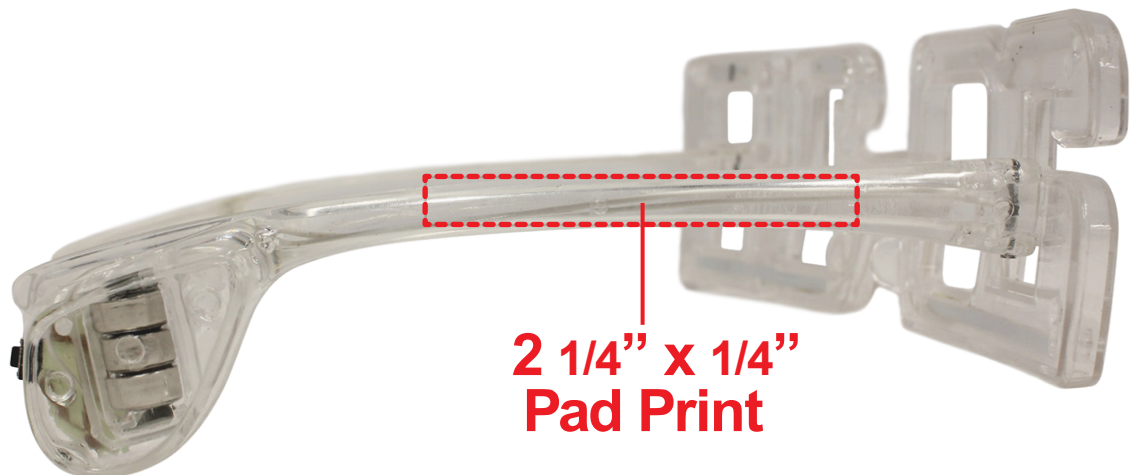
- .ai (Adobe Illustrator CC or lower) **RECOMMENDED**
- .cdr (Coral DrawX5 or lower)
- .pdf (Adobe Portable Document Format with preserved Illustrator Editing Capabilities)
- .eps (Encapsulated PostScript)

- **General Information**

- 4 Color Spot Max (No gradients, tones or placed images)
- Stock Colors or Pantone matches acceptable for additional charge
- Art Approval will be required from the customer before production begins (Email or Fax)
- Production Time: 5-10 business days after receipt of artwork approval
- Templates are available if requested by customer



2 1/4" x 1/4"  
Pad Print



2 1/4" x 1/4"  
Pad Print

*\*Image may not be to scale.*