

WHITE FELT PENNANT FLAG NOV420

Accepted File Formats for Best Print Quality:

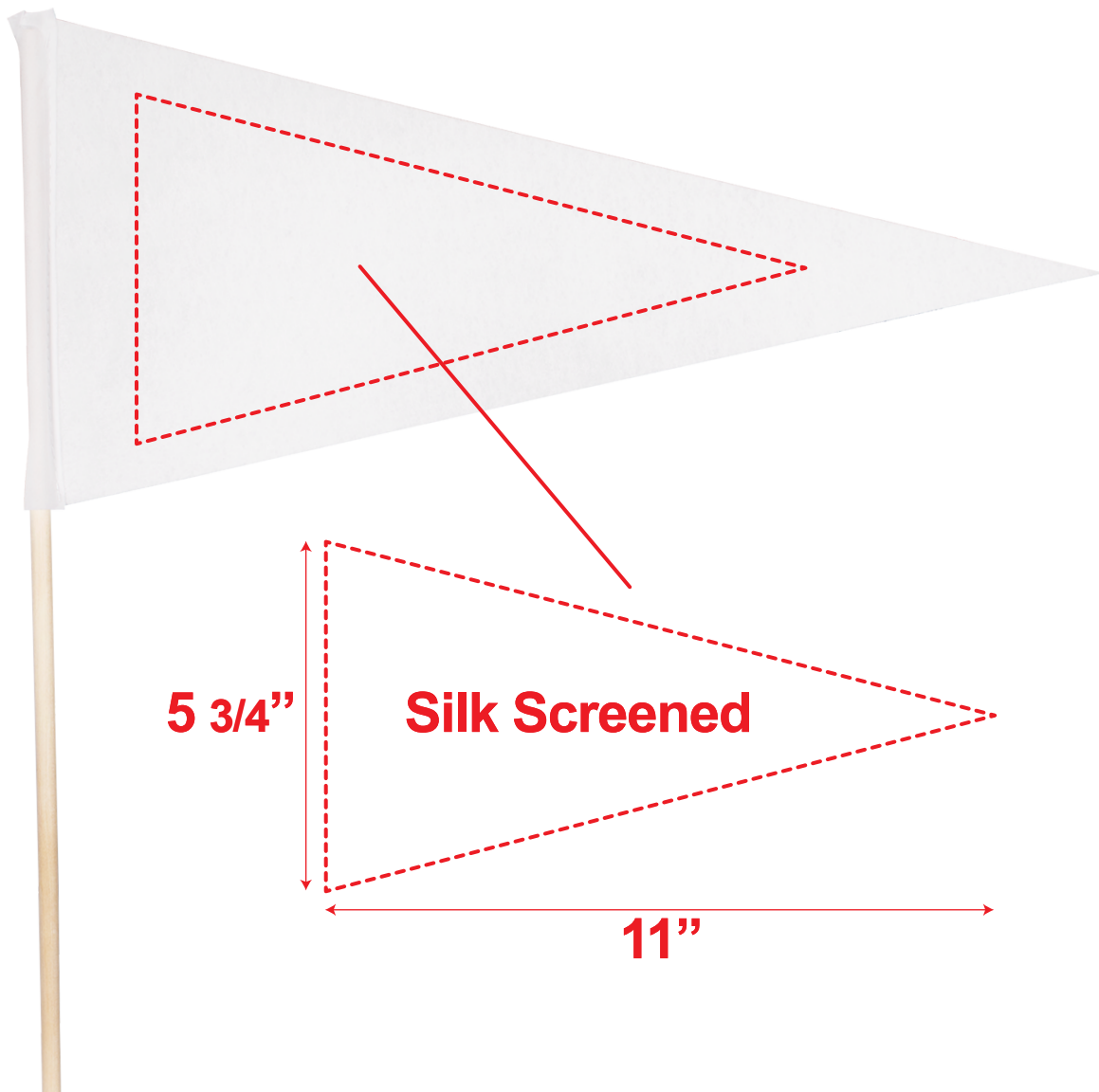
- **Vector Artwork** (Files must be submitted with fonts/text converted to outlines/curves):

Accepted file types:

- .ai (Adobe Illustrator CC or lower) **RECOMMENDED**
- .cdr (Coral DrawX5 or lower)
- .pdf (Adobe Portable Document Format with preserved Illustrator Editing Capabilities)
- .eps (Encapsulated PostScript)

- **General Information**

- 1 Color Spot Max (No gradients, tones or placed images)
- Stock Colors or Pantone matches acceptable for additional charge
- Art Approval will be required from the customer before production begins (Email or Fax)
- Production Time: 5-10 business days after receipt of artwork approval
- Templates are available if requested by customer



**Image may not be to scale.*